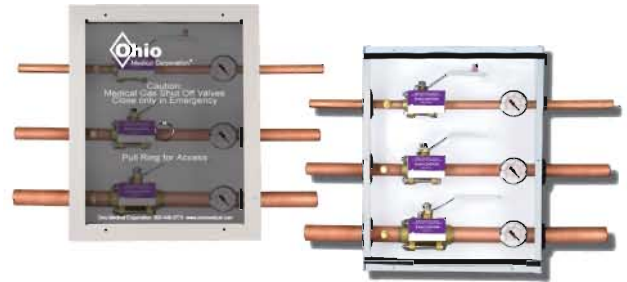


Multiple Zone Valve Box

4" & 6" Deep Box

FEATURES AND BENEFITS

- Full port design
- Blow-out proof stem
- Cleaned for medical gas service
- Teflon seals
- Dual gauge port on pipe extension



Specifications

Zone valve boxes shall be Ohio Medical® series. Each zone valve box shall comply with NFPA® 99 and will consist of a recessed steel box, full port three piece ball valve(s) and a removable window. Boxes are available to accommodate one to five ball valves.

The zone valve box shall be constructed of 18 gauge steel and be painted white. The box shall be equipped with adjustable mounting brackets for the purpose of in-wall mounting. The brackets shall allow the box to accommodate wall thicknesses up to 7/8" (22 mm).

The valve box frame shall be constructed of aluminum; the frame's surface shall be flat without indentations, to facilitate cleaning. The frame shall be mounted to the valve box by means of standard sheet metal screws. A front channel shall allow for insertion of the removable window.

The tinted transparent front window shall be constructed of plexiglas which will allow monitoring of the valve(s) and gauge(s). The window will be equipped with a center mounted ring to allow the window to be removed from the valve box frame. The window shall be able to be reinstalled without the use of tools, but only with the valve(s) in the open position. The window shall be labeled "CAUTION MEDICAL GAS SHUT-OFF VALVE - CLOSE ONLY IN EMERGENCY".

The valves shall be oxygen cleaned, full port, three piece ball-type with flanges to allow easy service and installation. The valve shall have a bronze body and a blow-out proof stem. The valve ball shall be bronze chrome plated and the seats and packing shall be Teflon® (PTFE). The valve shall have a pressure rating of 600 psig, and be hydrostatically tested.

Type "K" copper pipe extensions that are cleaned for medical gas service shall be fitted into each side of the valve. Dual gauge ports shall be drilled into the pipe extensions for the purpose of inserting gauges. The gauges shall have a 2" (50 mm) dial, and be ASME® B40.1 Grade B. The valve assembly shall be plugged or capped to prevent contamination.

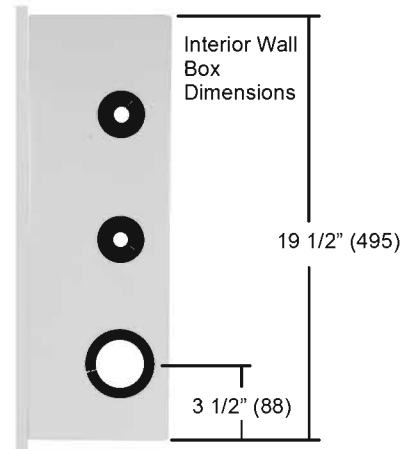
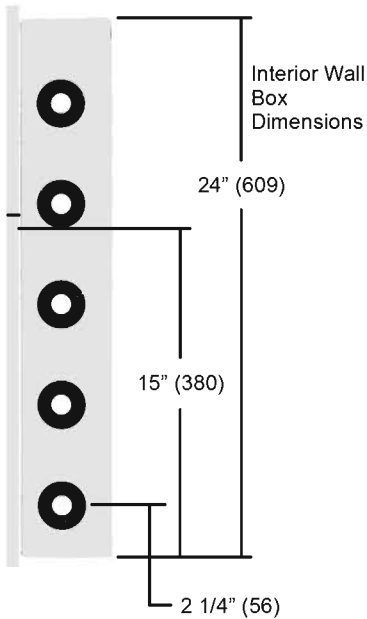
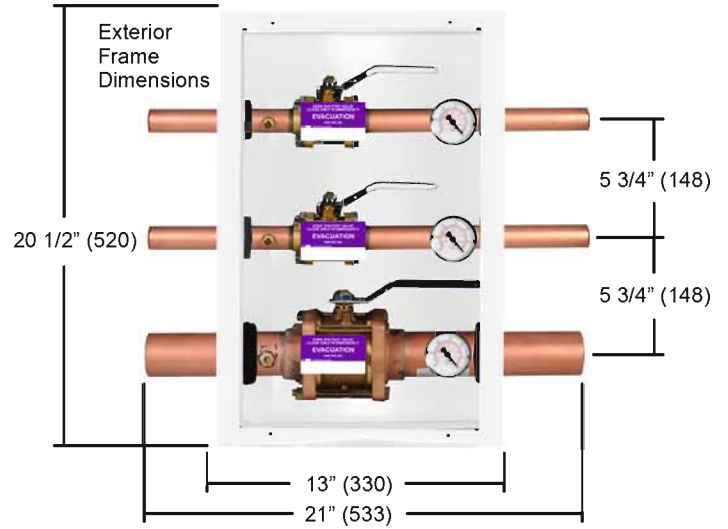
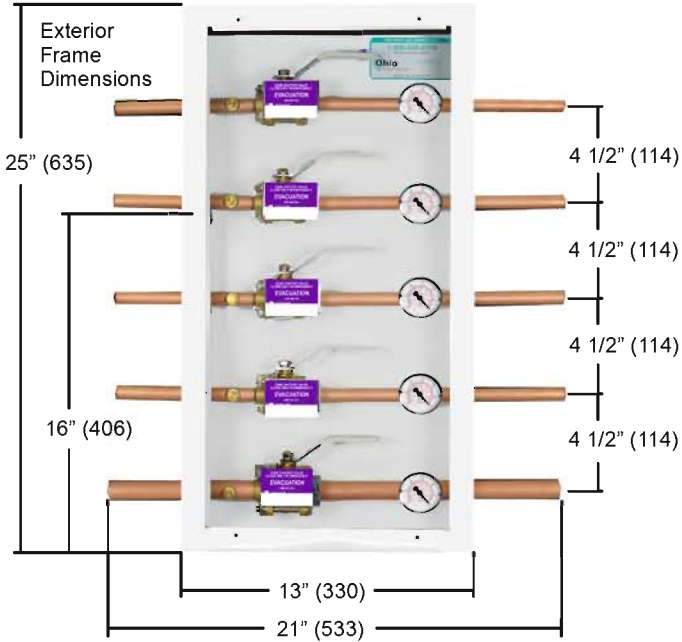
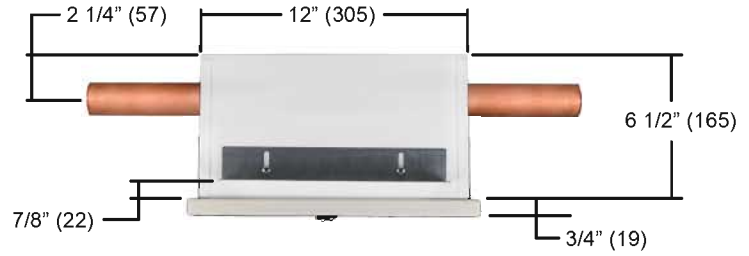
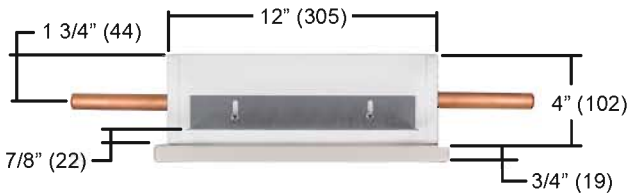
Each valve shall have a bracket used to identify the gas being handled by means of a gas specific label.

A lever type handle shall be used to operate the valve(s). The valve shall be changed from fully open to fully closed through a quarter turn of the handle. A label cluster is included with each valve box.

PART NUMBERS

261901-XX	Single Zone Valve Box (15")	Replace XX with: 05 = 1/2"
261902-XXXX	Double Zone Valve Box (15")	07 = 3/4"
261903-XXXXXX	Triple Zone Valve Box (15")	10 = 1"
261904-XXXXXXXX	Quadraplex Zone Valve Box (24")	12 = 1 1/4"
261905-XXXXXXXXXX	Quintuplex Zone Valve Box (24")	* 15 = 1 1/2"
		* ** 20 = 2"
		** (requires a 6 1/2" deep box)

* Valves 1 1/2" and larger requires a blank space between the next valve.



4" Deep Box

Dimensions in Inches (mm)

6" Deep Box

© 2012 Ohio Medical Corporation.

This document contains information that is proprietary and confidential to Ohio Medical Corporation. Use of this information is under license from Ohio Medical Corporation. Any use other than that authorized by Ohio Medical Corporation is prohibited. Ohio Medical Corporation, Ohio Medical and the Ohio Medical Corporation logo are registered trademarks of Ohio Medical Corporation.

ASME is a registered trademark of American Society of Mechanical Engineers

NFPA is a registered trademark of National Fire Protection Association, Inc

Teflon is a registered trademark of E. I. du Pont de Nemours and Company

Ohio Medical Corporation, 1111 Lakeside Drive, Gurnee, IL 60031

Phone 800-448-0770 / 847-855-0500 - Fax: 847-855-6300

www.ohiomedical.com - www.ohiomedicalparts.com

255436 (Rev. 4) 10.20.12