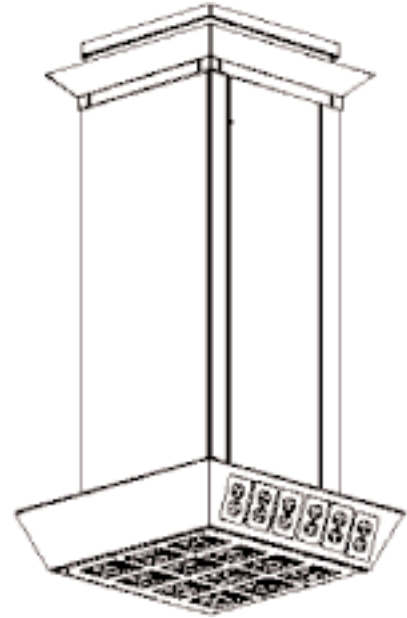


Rigid / Stationary Ceiling Column

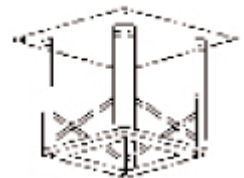
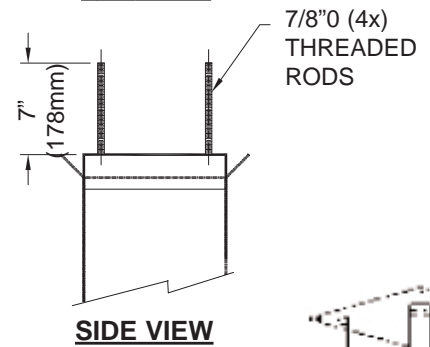
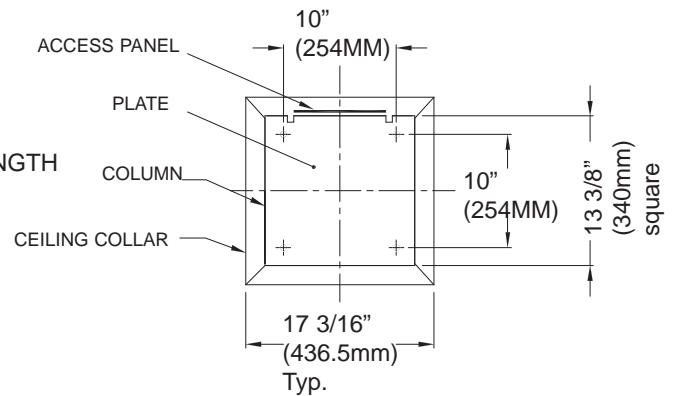
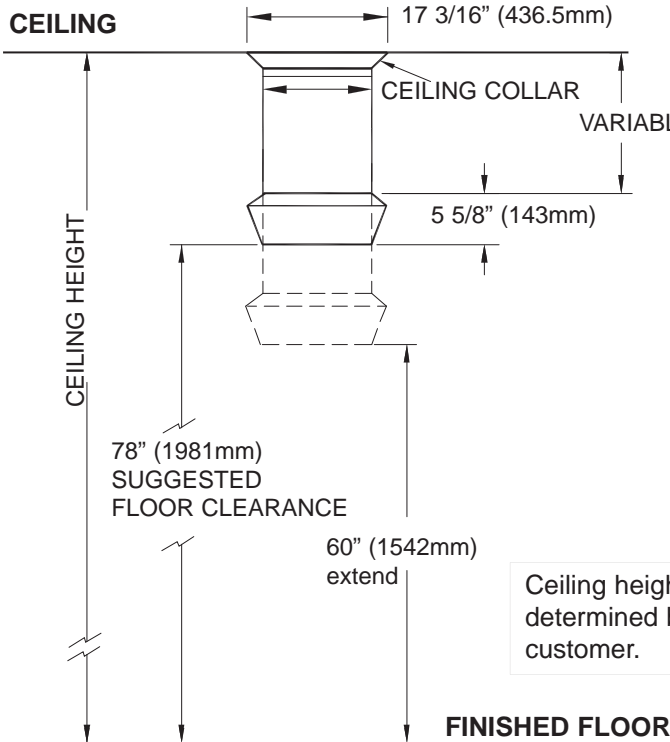
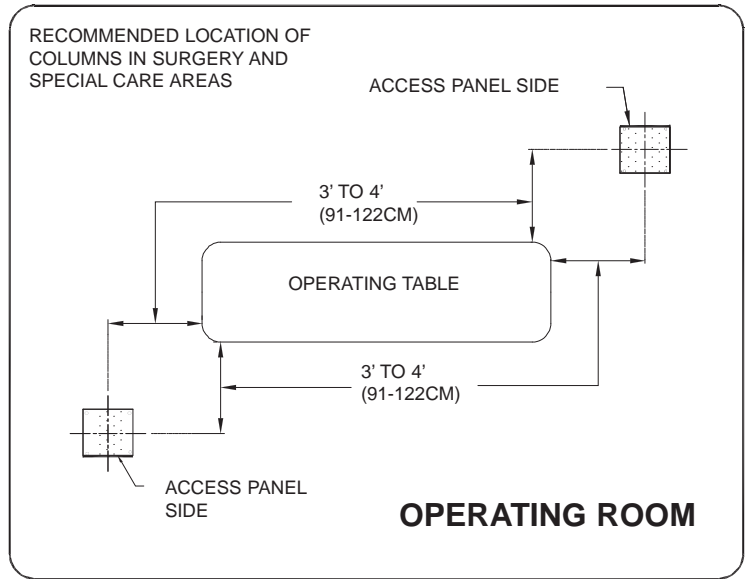


SPECIFICATIONS

The rigid ceiling column shall be Ohio Medical HEALTHCAIR® series and shall comply with NFPA.

- The rigid ceiling column shall consist of a single stainless steel shroud forming a 12" x 12" square column, and a stainless steel ceiling collar. The length of the column shall be determined by the finished ceiling height.
- The column shall be made of 16 gauge stainless steel with a #4 finish. The column includes a removable service access panel, a stainless steel ceiling collar, and a heavy gauge steel mounting plate. The mounting plate shall be furnished with four (4) 7/8" threaded rods, for connection to an owner supplied ceiling mounted structure.
- Medical gas outlets shall be furnished pre-installed within the bottom faceplate of the column, hard piped throughout the length of the column, and terminated with type L or type K 1/2" I.D. copper tubing 6" above the mounting plate within the ceiling space. Out-let quantity and locations shall be per customer specifications as indicated on submittal drawings.
- All electrical devices shall be furnished pre-installed on the periphery portion of the diamond head column, and terminated within the column in a junction box located above the ceiling level mounting plate. Wiring between devices and junction box shall use 1/2" flexible aluminum conduit. The junction box shall be accessible through a ceiling access panel (supplied by others). Electrical devices shall be furnished in quantities and locations per customer specifications and indicated on submittal drawings.
- All electrical receptacles shall be Nema 5-20R, 125 volts ac, or Nema 5-15R, hospital grade, UL Listed.
- Electrical receptacle shall be RED in color for emergency or IVORY for normal power.
- All components and testing shall comply with NFPA and National Electrical Code (NEC) & CSA Z305.1-1992
- Units shall be factory assembled and tested prior to shipping.
- Ceiling columns are U.L. Listed.

The column must be level and plumb to operate properly



Ceiling height is to be determined by the customer.

Dimensions in inches (mm)

PART NUMBERS

- 262663 Ceiling Column, Rigid

TRUSTED BRANDS OF OHIO MEDICAL



Ohio Medical Corporation - 1111 Lakeside Drive - Gurnee, IL 60031-4099 USA
 TollFree: 800-448-0770 - Phone: 847-855-0500 - Fax: 847-855-6300
www.ohiomedical.com