

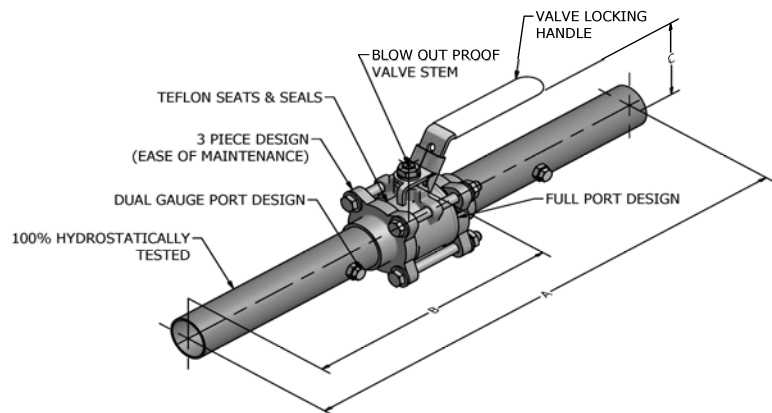
Medical Isolation Valve With Dual Ports and Locking Handle

General Specifications:

- Ball type with full port design
- Bronze/Brass body and chrome-plated brass ball
- Three piece design with double seals
- 1/4 turn handle operates open to closed position
- Valve is serviceable in the line
- Supplied clean and prepared for oxygen use per CGA G-4.1
- Capped and packaged in a polyethylene bag

Features:

- Teflon material ball seats and stem seals
- Lubricants and valve materials are compatible with USP oxygen, nitrous oxide, medical air, carbon dioxide, helium, nitrogen and mixtures thereof
- Continuous pressure of up to 600 psig and vacuum service to 29" Hg
- Type K copper tube extensions for connections on the pipeline



Medical Isolation Valve with Dual Ports and Locking Handle						
Part Number	Valve Size (Nominal)	O.D.	A	B	C	Bolt Pattern
PMIV-2L-050	1/2"	5/8"	21.00	7.87	1.69	4 Bolt
PMIV-2L-075	3/4"	7/8"		8.25	1.89	
PMIV-2L-100	1"	1-1/8"		8.58	2.05	
PMIV-2L-125	1-1/4"	1-3/8"		8.75	2.56	
PMIV-2L-150	1-1/2"	1-5/8"		8.87	2.72	
PMIV-2L-200	2"	2-1/8"		10.87	3.15	
PMIV-2L-250	2-1/2"	2-5/8"	32.0	16.00	4.29	6 Bolt
PMIV-2L-300	3"	3-1/8"			4.61	
PMIV-2L-400	4"	4-1/8"			7.90	

Statement of Warranty

Patton's Medical warrants all Products, to be free of defects in material and workmanship under normal use for a period not to exceed twenty-four (24) months from date of shipment..