

# Header Bars

## General Specifications:

Header Bars shall be a High-Pressure modular assembly. All header bars and pigtails shall be cleaned for oxygen.

Each Header Bar shall be equipped with a master valve to be placed on the left and right bank, outside the Manifold cabinet to shut off the gas in emergency situations. Each inlet port shall be equipped with a gas specific check valve to permit changing of cylinders without gas leakage.

Flexible Stainless Steel pigtails will be provided for each cylinder gas connection except for Oxygen & Helium. Rigid Copper pigtails will only be provided for Oxygen & Helium. The standard length for all pigtails will be 36".

**NOTE:** Header bar assemblies greater than 5 X 5 will include wall mounting brackets as a standard feature.

## Features:

- CGA gas specific header bar
- Multiple Configurations available; such as Straight, Staggered, U, and L shaped layouts.
- Standard 36" pigtails
- Modular Configuration



1 X 1 (W/ MASTER VALVE)



2 X 2



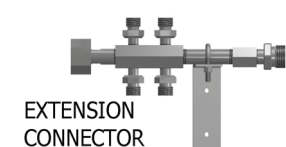
3 X 3



4 X 4



5 X 5



EXTENSION CONNECTOR

## Model Numbers

# M1-HBXX-XX-XXX

"BS" = Staggered c/w Stainless Pigtails  
 "BC" = Staggered c/w Copper Pigtails

**The "XX" defines the number of cylinders:**

- 02 = 2 Cylinder (1 x 1)
- 04 = 4 cylinders (2 x 2)
- 06 = 6 cylinders (3 x 3)
- 08 = 8 Cylinders (4 x 4)
- 10 = 10 Cylinders (5 x 5)
- 12 = 12 Cylinders (6 x 6)
- 14 = 14 Cylinders (7 x 7)
- 16 = 16 Cylinders (8 x 8)
- ETC...

**\* EXAMPLE 6 X 6**

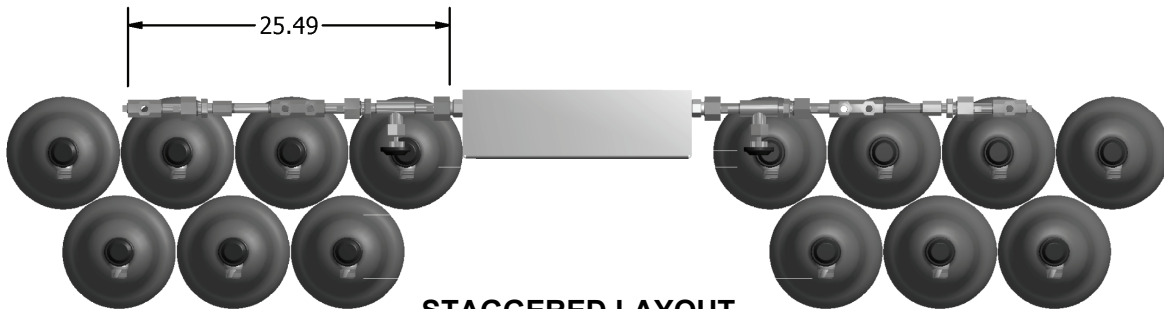


MASTER VALVE    EXTENSION CONNECTOR    2 X 2

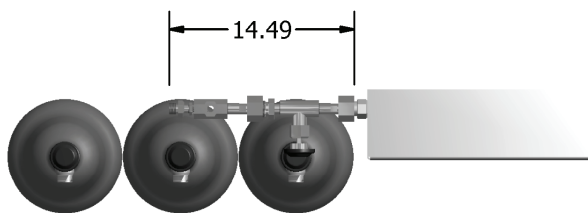
**The "XXX" Defines the Gases:**

- Oxygen = OXY
- Medical Air = AIR
- Nitrous Oxide = N2O
- Nitrogen = NIT
- Carbon Dioxide = CO2
- Argon = ARG
- Helium = HEL
- MIX = MIX

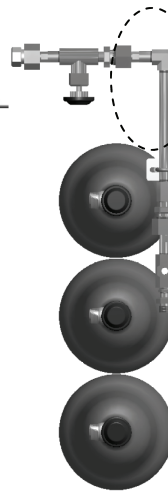
**Technical Specifications:**



**STAGGERED LAYOUT**  
(Example) M1-HBBS-14-AIR



**STRAIGHT LAYOUT**  
(Example-) M1-HBBS-06-AIR

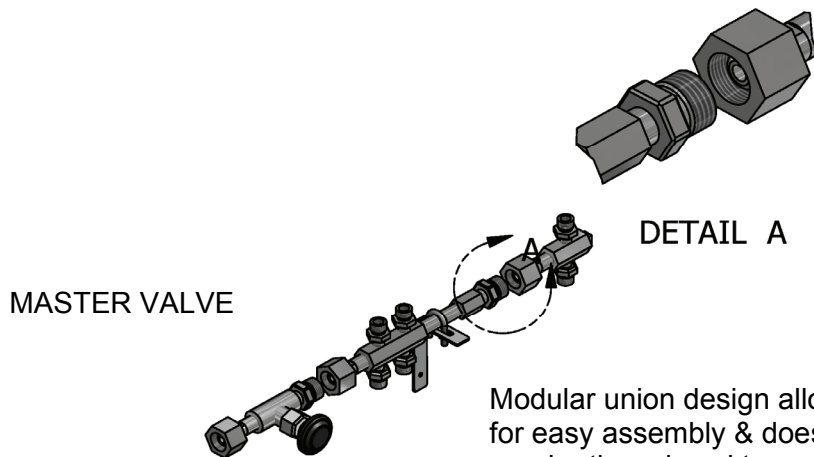


**L-LAYOUT**  
(Example-) M1-HBBS-06-AIR  
(Elbow connection) M1-HBEL

**NOTE:**

- Dimensions are based on approximate distances
- Wall mounting brackets are standard
- All header bars & pigtails shall be cleaned for oxygen
- Header Bars are designed to allow cylinders to be placed underneath the manifold where applicable

HEADER BAR LENGTHS (ONE SIDE)														
# of cylinders per bank	1	2	3	4	5	6	7	8	9	10	11	12	13	14
Header bar length (inches)	12	12	15	15	16	26	27	27	29	38	40	40	52	51



Modular union design allows for easy assembly & does not require thread seal tape.

**HEADER BAR ACCESSORIES**

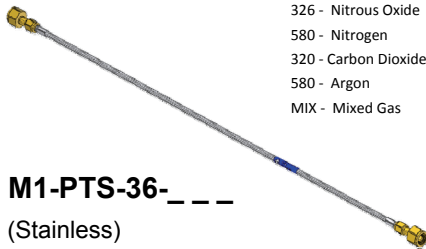
**PIGTAIL CONNECTIONS**

540- Oxygen  
580- Helium



**M1-PTC-36-\_\_ \_**  
(Copper)

346 - Medical Air  
326 - Nitrous Oxide  
580 - Nitrogen  
320 - Carbon Dioxide  
580 - Argon  
MIX - Mixed Gas



**M1-PTS-36-\_\_ \_**  
(Stainless)

For Lengths other than 36",  
contact Patton's Medical

**Cryogenic Pigtails**

**M1-PTY-72-\_\_ \_**  
(Stainless)

295 - Argon & Nitrogen  
440 - Oxygen

**ELBOW CONNECTION**

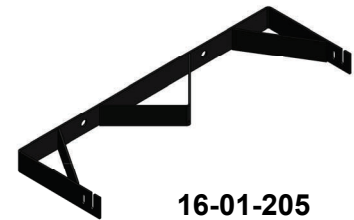


**M1-HBEL**

**CYLINDER WALL MOUNTING BRACKETS**

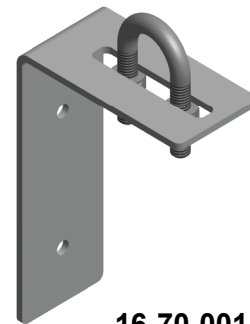


**16-01-206**



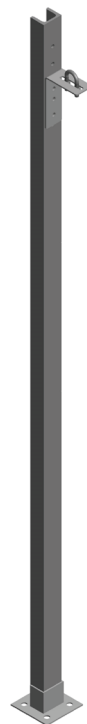
**16-01-205**

**HEADER BAR WALL MOUNTING BRACKETS**



**16-70-001**

**FLOOR STAND HEADER BAR MOUNTING BRACKETS**



**16-70-003**