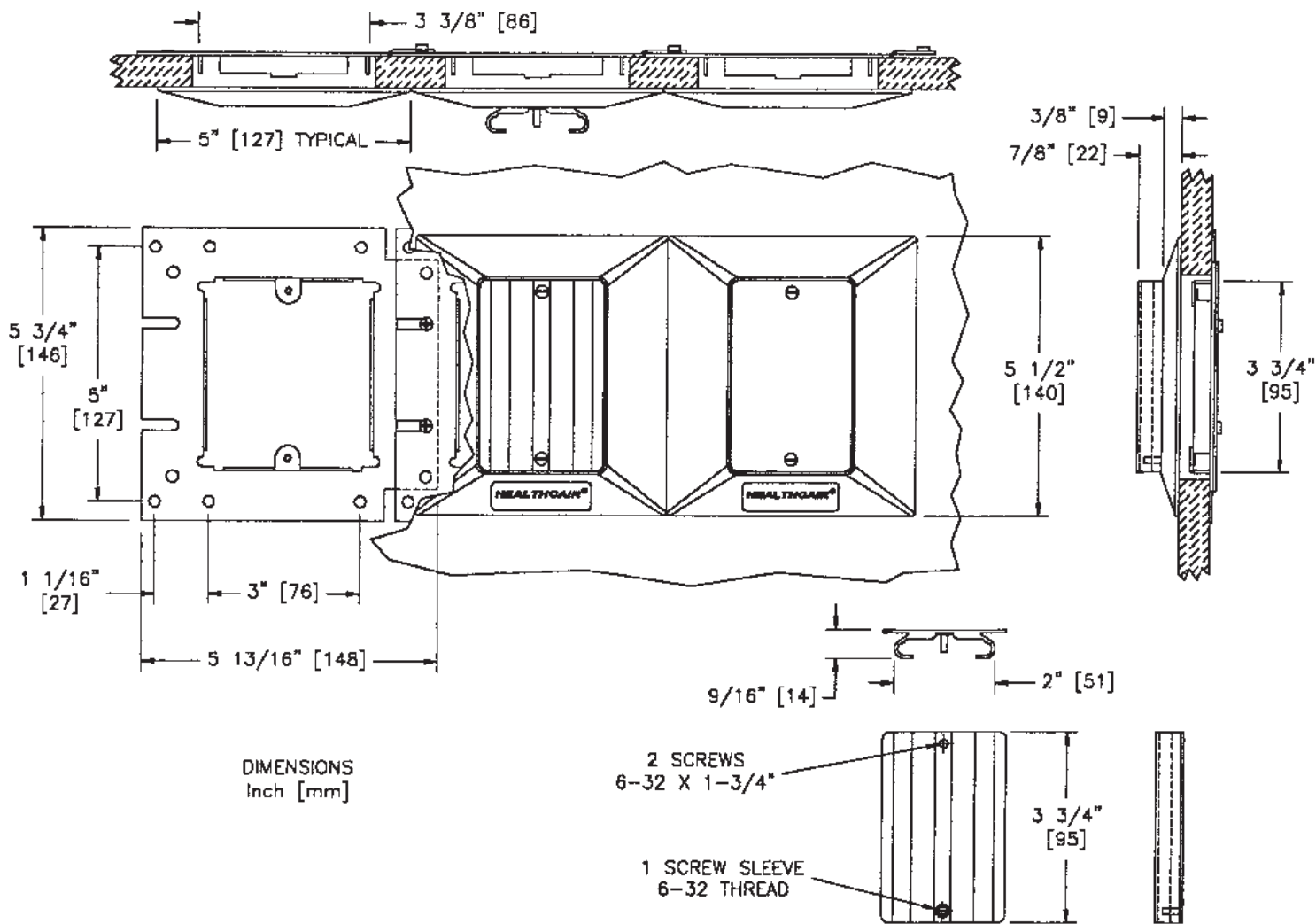


## Product Specifications



### PART NUMBERS

261690 Wall Slide  
261691 Console Slide  
261394 Wall Cover Blank

### MATERIALS OF CONSTRUCTION

Slide: Aluminum  
Screws: Plated Steel  
Cover Plate: Cycology®

Cycology® is a registered trademark of GE Plastics.

TRUSTED BRANDS OF OHIO MEDICAL™



Ohio Medical Corporation  
1111 Lakeside Drive - Gurnee, IL 60031-4099 USA  
TollFree: 800-448-0770 - Fax: 847-855-6200  
www.ohiomedical.com  
Form No. 255093 (Rev.4) 03/08